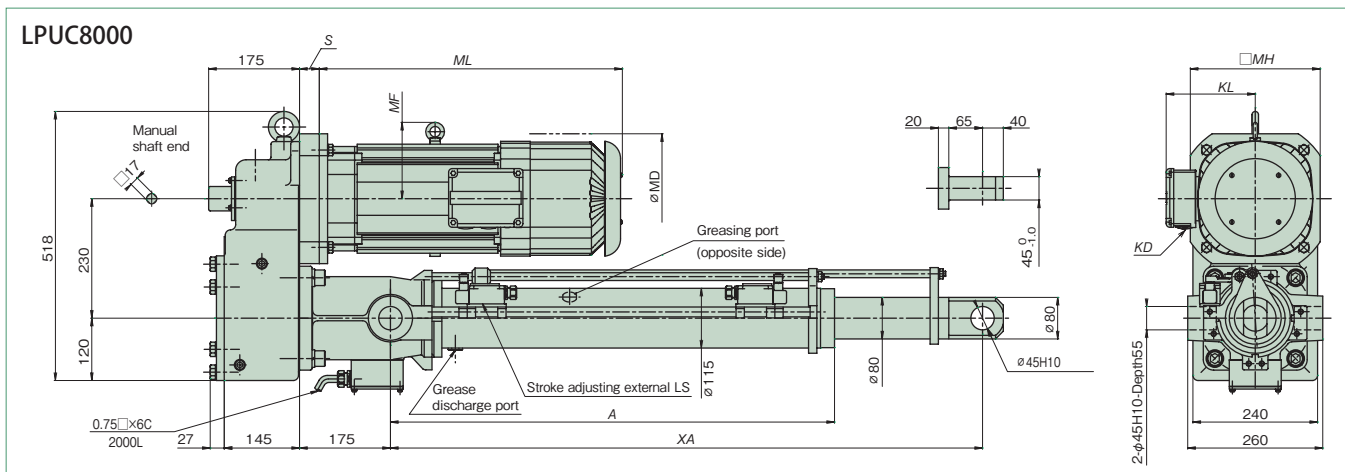
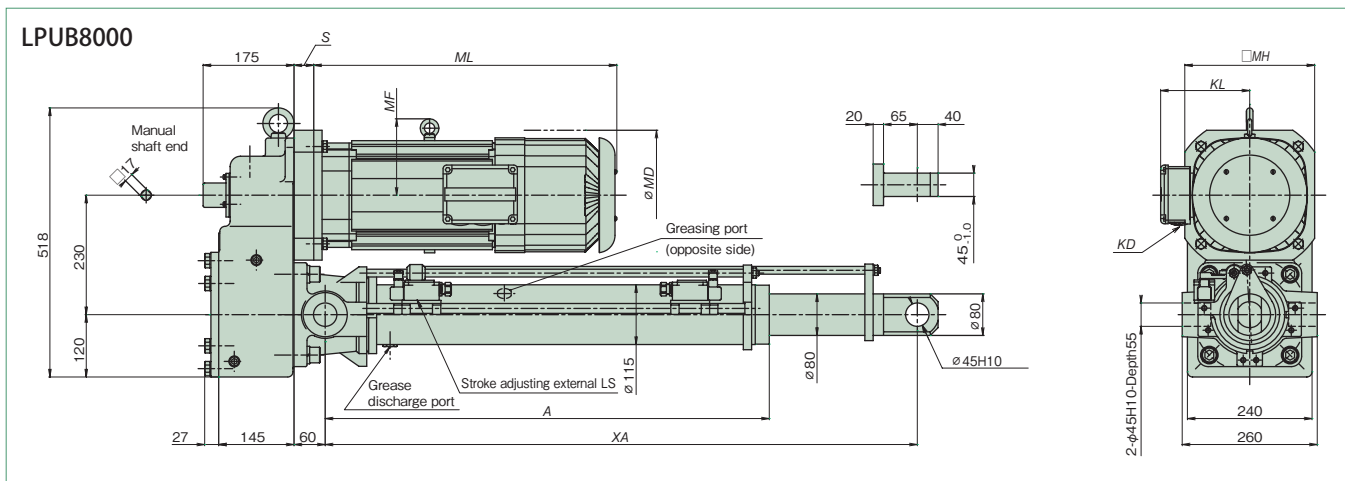


Dimensions Table U Series 8000



Unit: mm

| Type | Nominal speed mm/s 50/60Hz | Motor kW | MD | ML | MF | KL | KD | MH | S |
|-----------|----------------------------------|-------------|-----|-----|-----|-----|------------------------|-----|-----|
| LPUB8000S | 10/12 | 1.5 | 194 | 351 | — | 178 | A20C | 170 | 100 |
| LPUC8000S | | | | | | | | | |
| LPUB8000L | 20/24 | 2.2 | 194 | 340 | 128 | 178 | A25C | 200 | 46 |
| LPUC8000L | | | | | | | | | |
| LPUB8000M | 30/36 | 3.7 | 229 | 414 | 146 | 187 | | 200 | 20 |
| LPUC8000M | | | | | | | | | |
| LPUB8000H | 43/52 | 5.5 | 250 | 584 | 147 | 172 | 20N32X1.5 17N16X1.5 | 250 | 38 |
| LPUC8000H | | | | | | | | | |

Unit: mm

| Nominal stroke | Thrust | | A | XA | |
|----------------|--------|---------|------|------|------|
| | kN | { kgf } | | MIN | MAX |
| 500 | 78.4 | 8000 | 855 | 1010 | 1510 |
| 1000 | | | 1355 | 1560 | 2560 |
| 1500 | | | 1955 | 2210 | 3710 |

Approximate mass of main body

Unit: kg

| Type | Nominal stroke | 500 | 1000 | 1500 |
|-----------|----------------|-----|------|------|
| LPUB8000S | | 162 | 187 | 212 |
| LPUC8000S | | 185 | 210 | 235 |
| LPUB8000L | | 172 | 197 | 222 |
| LPUC8000L | | 195 | 220 | 245 |
| LPUB8000M | | 177 | 202 | 227 |
| LPUC8000M | | 199 | 224 | 249 |
| LPUB8000H | | 200 | 225 | 250 |
| LPUC8000H | | 223 | 248 | 273 |

1. This drawing shows a power cylinder with an external limit switch for stroke adjustment.
2. Mechanical stroke has a extra margin of approximately 10mm on both sides for the nominal stroke.
3. Same dimensions with bellows equipped.
4. UC type brake should be controlled separately.
5. When the model of the UC type nominal stroke 1500mm is used, press and stop cannot be carried out near the maximum stroke in terms of buckling strength.
6. For connector part dimensions of the motor terminal box, refer to page 29.
7. Read cautions on page 33.

Options

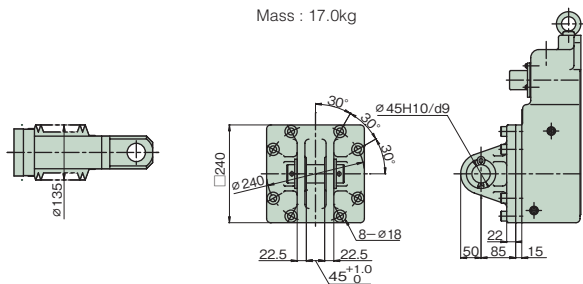
■ Bellows (-J)

■ Clevis fitting (LPUB8000-C)

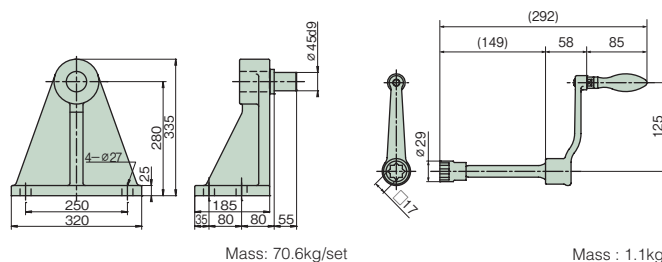
Mass : 17.0kg

■ Trunnion fitting (LPUB8000-T)

■ Manual handle (LPTB12000-H)



Note) Attached to the main body, when shipped.



Mass: 70.6kg/set

Mass : 1.1kg

Note) Apply grease to the trunnion pin and trunnion hole before mounting.

* Dimensions with no tolerance described have general tolerance, and sizes are larger by approximately 2 to 5mm from the described dimensions. When designing the machine, take the margin into consideration.