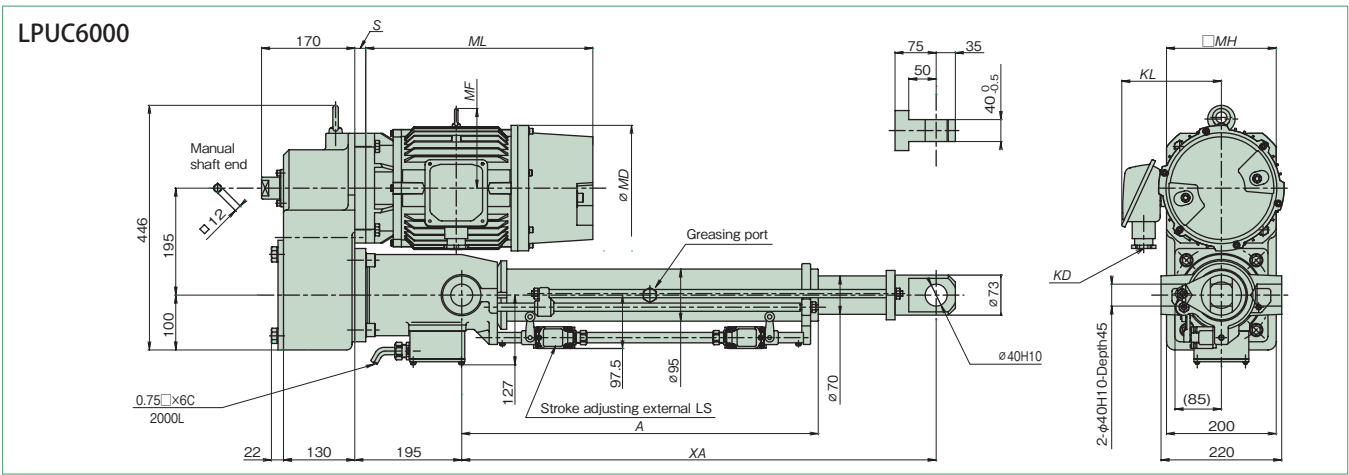
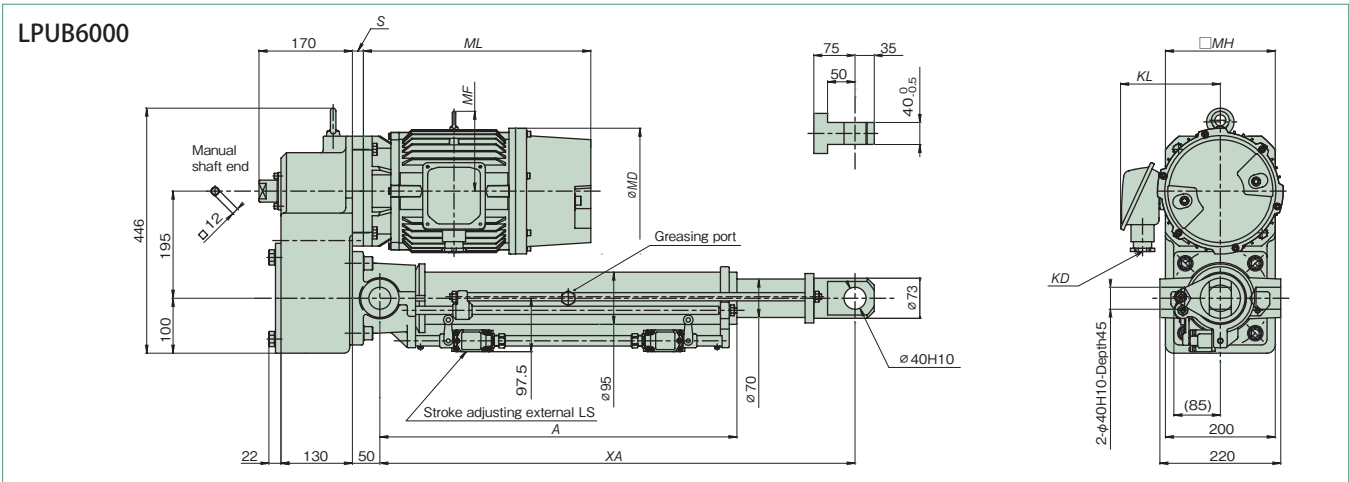


# Dimensions Table U Series 6000



Unit: mm

Type	Nominal speed mm/s 50/60Hz	Motor kW	MD	ML	MF	KL	KD	MH	S
LPUB6000S	6.5/7.8	0.75	180	289	—	166	A20C	170	90
LPUC6000S									
LPUB6000L	18/22	1.5	194	351	—	178	A25C	200	46
LPUC6000L									
LPUB6000M	26/31	2.2	194	340	128	178	A25C	200	46
LPUC6000M									
LPUB6000H	42/50	3.7	229	414	146	187	A25C	200	20
LPUC6000H									

Unit: mm

Nominal stroke	Thrust		A	XA	
	kN	{kgf}		MIN	MAX
500	58.8	6000	750	910	1410
1000			1250	1450	2450
1500			1750	1995	3495

Approximate mass of main body

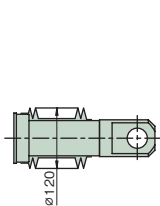
Unit: kg

Type	Nominal stroke	500	1000	1500
LPUB6000S		103	120	138
LPUC6000S		118	135	153
LPUB6000L		107	124	142
LPUC6000L		122	139	157
LPUB6000M		102	119	137
LPUC6000M		117	134	152
LPUB6000H		129	146	164
LPUC6000H		144	161	179

1. This drawing shows a power cylinder with an external limit switch for stroke adjustment.
2. Mechanical stroke has a extra margin of approximately 10mm on both sides for the nominal stroke.
3. Same dimensions with bellows equipped.
4. UC type brake should be controlled separately.
5. When the model of the UC type nominal stroke 1500mm is used, press and stop cannot be carried out near the maximum stroke in terms of buckling strength.
6. For connector part dimensions of the motor terminal box, refer to page 29.
7. Read cautions on page 33.

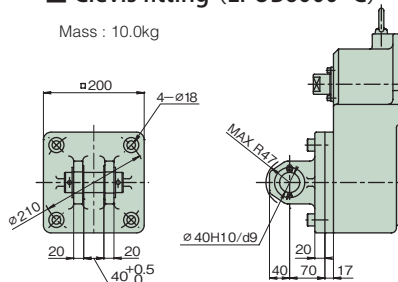
## Options

### ■ Bellows ( - J )



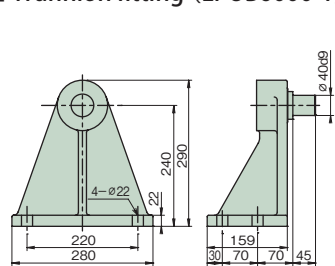
### ■ Clevis fitting (LPUB6000-C)

Mass : 10.0kg



Note) Attached to the main body, when shipped.

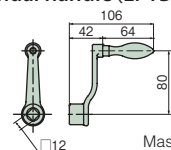
### ■ Trunnion fitting (LPUB6000-T)



Mass: 39.0kg/set

Note) Apply grease to the trunnion pin and trunnion hole before mounting.

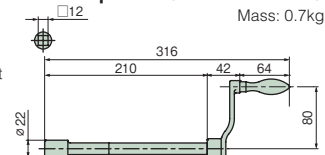
### ■ Manual handle (LPTB4000-H)



Mass: 0.4kg

### ■ Manual handle for control unit options (LPTB4000-HC)

Mass: 0.7kg



\* Dimensions with no tolerance described have general tolerance, and sizes are larger by approximately 2 to 5mm from the described dimensions. When designing the machine, take the margin into consideration.