

# With precision planetary reducer

## Dimensions table (□105 frame)

The dimensions of Planetary Reducer Type may changed, contact us.

### LPES1500R□T□□□□□

Reduction gear ratio — Mount code  
Stroke

Fig. 1

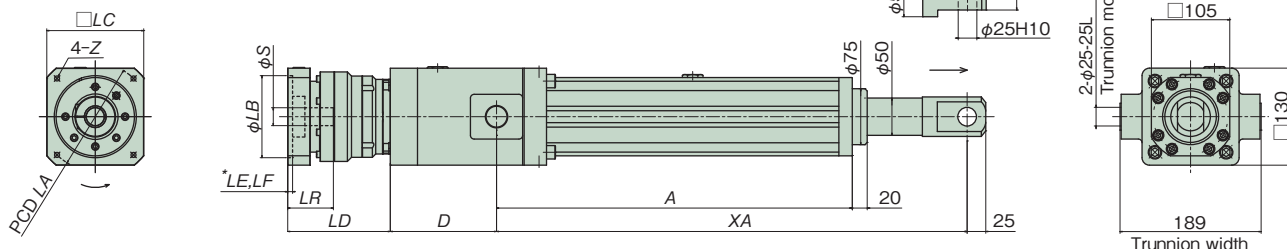
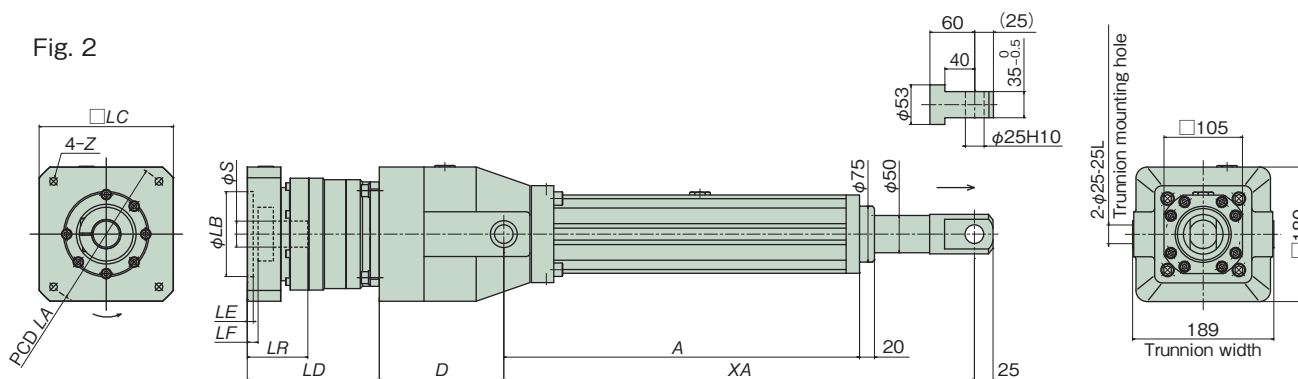


Fig. 2



| Mount code | LC  | LB    | LE* | S  | LR | LF* | LA  | Z       | LD    | D   | Unit: mm |  |
|------------|-----|-------|-----|----|----|-----|-----|---------|-------|-----|----------|--|
|            |     |       |     |    |    |     |     |         |       |     | Drawing  |  |
| G4K        | 80  | 70    | 6   | 16 | 50 | 7   | 90  | M5×11L  | 118.5 | 111 | 1        |  |
| G4L        | 80  | 70    | 6   | 19 | 50 | 7   | 90  | M5×11L  | 118.5 | 111 |          |  |
| G5H        | 80  | 70    | 5   | 14 | 35 | 5   | 90  | M6×13L  | 108.5 | 111 |          |  |
| G5K        | 80  | 70    | 6   | 16 | 50 | 7   | 90  | M6×13L  | 118.5 | 111 |          |  |
| G5L        | 80  | 70    | 6   | 19 | 50 | 7   | 90  | M6×13L  | 118.5 | 111 |          |  |
| H1H        | 90  | 80    | 15  | 14 | 45 | 15  | 100 | M6×13L  | 118.5 | 111 |          |  |
| H4K        | 90  | 80    | 16  | 16 | 60 | 17  | 100 | M6×13L  | 128.5 | 111 |          |  |
| J4L        | 100 | 95    | 16  | 19 | 60 | 17  | 115 | M8×17L  | 128.5 | 111 |          |  |
| J7Y        | 115 | 95    | 8   | 24 | 67 | 12  | 135 | M8×17L  | 135.5 | 111 |          |  |
| K3L        | 130 | 110   | 21  | 19 | 65 | 22  | 145 | M8×17L  | 133.5 | 111 |          |  |
| K3M        | 130 | 110   | 18  | 22 | 77 | 22  | 145 | M8×17L  | 145.5 | 111 |          |  |
| K3Y        | 130 | 110   | 8   | 24 | 62 | 7   | 145 | M8×17L  | 130.5 | 111 |          |  |
| M3P        | 150 | 130   | 8   | 28 | 67 | 12  | 165 | M10×21L | 142.5 | 143 | 2        |  |
| L1R        | 180 | 114.3 | 8   | 35 | 82 | 15  | 200 | M12×25L | 177   | 167 |          |  |

\* LE : spigot depth. LF : distance to coupling.

| Stroke | A    | Unit: mm |      |
|--------|------|----------|------|
|        |      | MIN      | MAX  |
| 200    | 537  | 680      | 880  |
| 300    | 637  | 790      | 1090 |
| 400    | 737  | 900      | 1300 |
| 500    | 837  | 1010     | 1510 |
| 600    | 937  | 1115     | 1715 |
| 800    | 1137 | 1335     | 2135 |
| 1000   | 1337 | 1555     | 2555 |

| Stroke | Unit: kg             |                      |                      |
|--------|----------------------|----------------------|----------------------|
|        | Mass (with PAT-B220) | Mass (with PAT-B320) | Mass (with PAT-B400) |
| 200    | 39.1                 | 42.1                 | 56.4                 |
| 300    | 42.1                 | 45.1                 | 59.4                 |
| 400    | 43.6                 | 46.6                 | 60.9                 |
| 500    | 45.9                 | 48.9                 | 63.2                 |
| 600    | 48.1                 | 51.1                 | 65.4                 |
| 800    | 53.1                 | 56.1                 | 70.4                 |
| 1000   | 57.1                 | 60.1                 | 74.4                 |

\* The above mass does not include the mass of the servomotor.