

Dimensions table (□105 frame)



Fig. 1

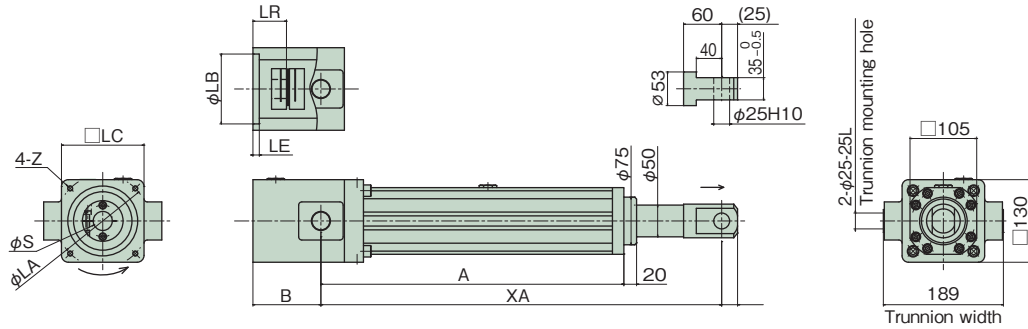
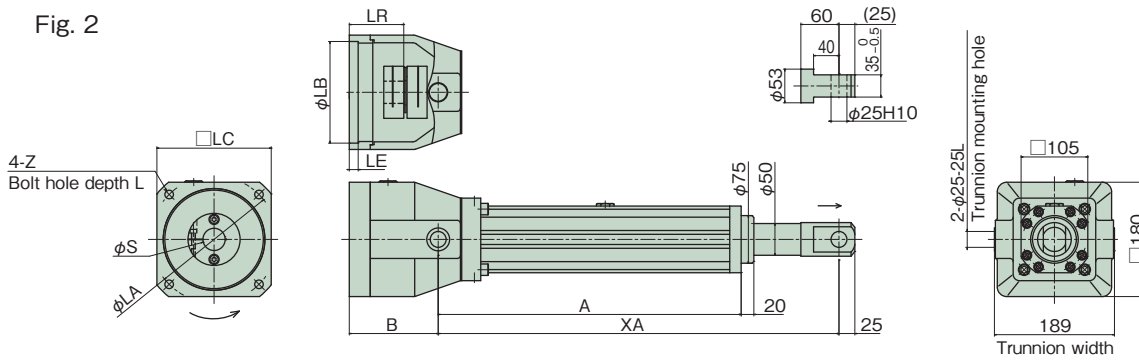


Fig. 2



Mount code	LC	LB	LE	S	LR	LA	Z	L	B	Unit: mm	
										Drawing	
H2Y	130	80	12	24	45	100	M6X12L	-	101	1	
J2M	130	95	10	22	40	115	M8X16L	-	96		
J3Y	130	95	5	24	45	115	M6X12L	-	101		
J4M	130	95	5	22	45	115	M8X16L	-	101		
J4Y	130	95	5	24	45	115	M8X16L	-	101		
K2M	130	110	9	22	40	145	M8X16L	-	96		
K2Z	130	110	9	26	40	145	M8X16L	-	96		
K3M	130	110	9	22	55 to 58	145	M8X16L	-	111		
K3P	130	110	9	28	55	145	M8X16L	-	111		
K3Y	130	110	9	24	55 to 58	145	M8X16L	-	111		
K4P	130	110	9	28	63	145	M8X16L	-	119	2	
K4Y	130	110	9	24	65	145	M8X16L	-	119		
K4Z	130	110	9	28(j6)	63	145	M8X16L	-	119		
K6M	130	110	5	22	45	135	M8X16L	-	101		
K6P	130	110	5	28	55	135	M8X16L	-	111		
K7M	130	110	9	22	70	145	M8X16L	-	124		
L1P	180	114.3	11	28	55	200	M12X25L	7	114		
L1Q	180	114.3	11	32	50	200	M12X25L	7	109		
L1R	180	114.3	21	35	65 to 70	200	M12X25L	17	124		
L1Z	180	114.3	21	28(j6)	65	200	M12X25L	17	124		
L2S	180	114.3	65	42	113	200	M12X25L	61	168		
L3R	180	114.3	10	35	79 to 80	200	M12X25L	29	136		
L3S	180	114.3	10	42	79	200	M12X25L	29	136		
M3P	180	130	17	28	60 to 65	165	M10X25L	-	120		
M4P	180	130	17	28	70	165	M10X25L	-	125		
N1S	200	180	6	42	85	215	M12X25L	33	140	2	
P2Q	220	200	6	32	65	235	M12X29L	-	124		
P2R	220	200	6	35	65	235	M12X29L	-	124		
P3R	220	200	6	35	70	235	M12X29L	-	124		
Z9Z											

Stroke	A	Unit: mm	
		MIN	MAX
200	537	680	880
300	637	790	1090
400	737	900	1300
500	837	1010	1510
600	937	1115	1715
800	1137	1335	2135
1000	1337	1555	2555

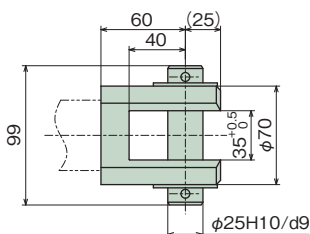
Stroke	Mass
200	39.9
300	42.9
400	44.4
500	46.7
600	48.9
800	53.9
1000	57.9

* The above mass does not include the mass of the servomotor.

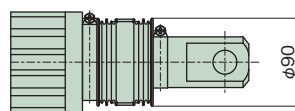
* For dimensions in blanks, contact us.

Options

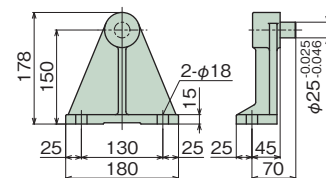
U-type end fitting (- U)



Bellows (- J)



Trunnion fitting (LPE400-T) Mass: 7.0kg



Order the trunnion fitting separately from main body model No. without entering any symbol at the end of model No.