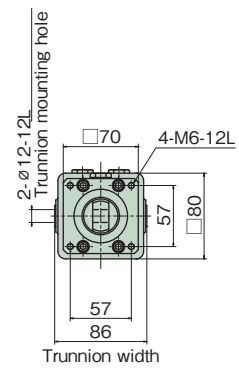
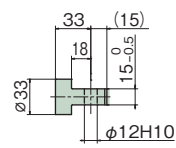
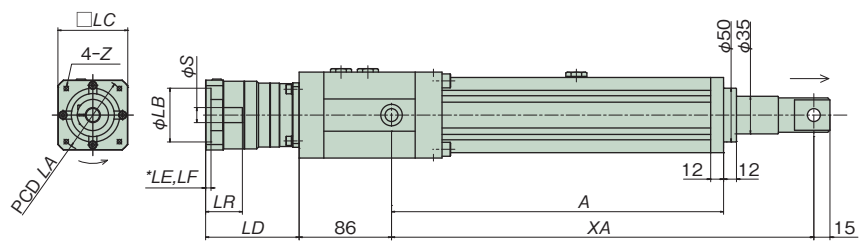


# With precision planetary reducer

## Dimensions table (□70 frame)

The dimensions of Planetary Reducer Type may changed, contact us.

**LPES150R** □ T □ □ □ □  
 Reduction gear ratio □ Mount code □ Stroke □



| Mount code | LC | LB | LE* | S  | LR | LF* | LA  | Z      | LD   | Unit: mm |
|------------|----|----|-----|----|----|-----|-----|--------|------|----------|
| B3D        | 42 | 30 | 5   | 8  | 32 | 5   | 46  | M4×9L  | 84   |          |
| E3G        | 65 | 50 | 5   | 11 | 35 | 5   | 70  | M4×9L  | 87   |          |
| E3H        | 65 | 50 | 5   | 14 | 35 | 5   | 70  | M4×9L  | 87   |          |
| E4D        | 60 | 50 | 10  | 8  | 37 | 10  | 70  | M5×11L | 67.5 |          |
| E4E        | 65 | 50 | 5   | 9  | 35 | 5   | 70  | M5×11L | 87   |          |
| E4H        | 65 | 50 | 5   | 14 | 35 | 5   | 70  | M5×11L | 87   |          |
| G5H        | 80 | 70 | 5   | 14 | 35 | 5   | 90  | M6×13L | 87   |          |
| H1F        | 90 | 80 | 15  | 10 | 45 | 15  | 100 | M6×13L | 97   |          |
| H1H        | 90 | 80 | 15  | 14 | 45 | 15  | 100 | M6×13L | 97   |          |

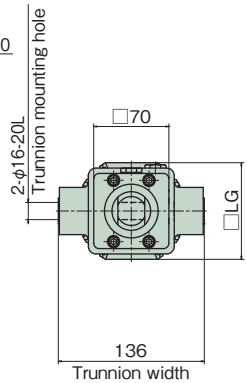
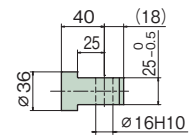
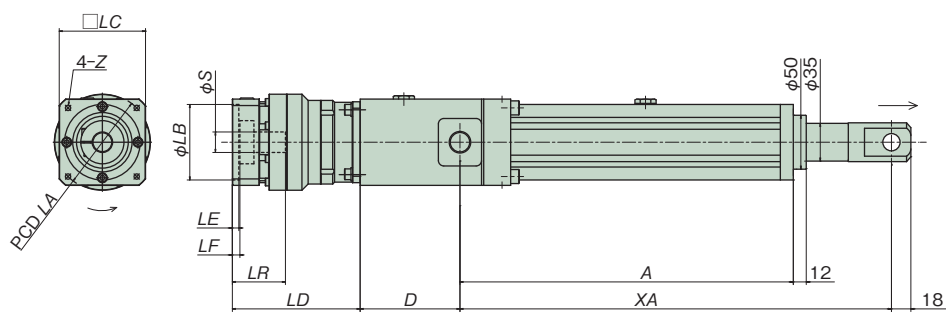
\* LE : spigot depth. LF : distance to coupling.

| Stroke | A   | XA  |      | Unit: mm |
|--------|-----|-----|------|----------|
|        |     | MIN | MAX  |          |
| 100    | 309 | 395 | 495  |          |
| 200    | 409 | 495 | 695  |          |
| 300    | 509 | 595 | 895  |          |
| 400    | 609 | 695 | 1095 |          |
| 500    | 709 | 795 | 1295 |          |
| 600    | 809 | 895 | 1495 |          |

| Stroke | Mass | Unit: kg |
|--------|------|----------|
| 100    | 10.7 |          |
| 200    | 11.6 |          |
| 300    | 12.6 |          |
| 400    | 13.5 |          |
| 500    | 14.4 |          |
| 600    | 15.4 |          |

\* The above mass does not include the mass of the servomotor.

**LPES300R** □ T □ □ □ □  
 Reduction gear ratio □ Mount code □ Stroke □



| Mount code | LC  | LB  | LE | S  | LR | LF | LA  | Z      | LD    | LG | D  | Unit: mm |
|------------|-----|-----|----|----|----|----|-----|--------|-------|----|----|----------|
| B3D        | 42  | 30  | 5  | 8  | 32 | 5  | 46  | M4×9L  | 62.5  | 42 | 85 |          |
| E3G        | 65  | 50  | 5  | 11 | 35 | 5  | 70  | M4×9L  | 87    | 63 | 85 |          |
| E3H        | 65  | 50  | 5  | 14 | 35 | 5  | 70  | M4×9L  | 87    | 63 | 85 |          |
| E4E        | 65  | 50  | 5  | 9  | 35 | 5  | 70  | M5×11L | 87    | 63 | 85 |          |
| E4H        | 65  | 50  | 5  | 14 | 35 | 5  | 70  | M5×11L | 87    | 63 | 85 |          |
| G5H        | 80  | 70  | 5  | 14 | 35 | 5  | 90  | M6×13L | 87    | 63 | 85 |          |
| G5K        | 80  | 70  | 6  | 16 | 50 | 8  | 90  | M6×13L | 102   | 75 | 85 |          |
| H1F        | 90  | 80  | 15 | 10 | 45 | 15 | 100 | M6×13L | 97    | 63 | 85 |          |
| H1H        | 90  | 80  | 15 | 14 | 45 | 15 | 100 | M6×13L | 97    | 63 | 85 |          |
| G4L        | 80  | 70  | 6  | 19 | 50 | 7  | 90  | M5×11L | 118.5 | 89 | 93 |          |
| G5L        | 80  | 70  | 6  | 19 | 50 | 7  | 90  | M6×13L | 118.5 | 89 | 93 |          |
| J4L        | 100 | 95  | 16 | 19 | 60 | 17 | 115 | M8×17L | 128.5 | 89 | 93 |          |
| J7Y        | 115 | 95  | 8  | 24 | 67 | 12 | 135 | M8×17L | 135.5 | 90 | 93 |          |
| K3L        | 130 | 110 | 21 | 19 | 65 | 22 | 145 | M8×17L | 133.5 | 89 | 93 |          |
| K3Y        | 130 | 110 | 8  | 24 | 62 | 7  | 145 | M8×17L | 130.5 | 90 | 93 |          |

| Stroke | A   | XA  |      | Unit: mm |
|--------|-----|-----|------|----------|
|        |     | MIN | MAX  |          |
| 100    | 309 | 400 | 500  |          |
| 200    | 409 | 500 | 700  |          |
| 300    | 509 | 600 | 900  |          |
| 400    | 609 | 700 | 1100 |          |
| 500    | 709 | 800 | 1300 |          |
| 600    | 809 | 900 | 1500 |          |

| Stroke | Mass (with PAT-B160) | Mass (with PAT-B220) | Unit: kg |
|--------|----------------------|----------------------|----------|
| 100    | 14.6                 | 16.0                 |          |
| 200    | 15.5                 | 16.9                 |          |
| 300    | 16.4                 | 17.8                 |          |
| 400    | 17.4                 | 18.8                 |          |
| 500    | 18.3                 | 19.7                 |          |
| 600    | 19.3                 | 20.7                 |          |

\* The above mass does not include the mass of the servomotor.