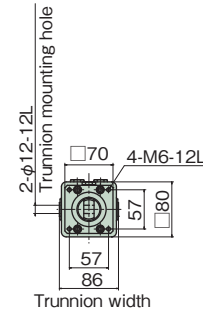
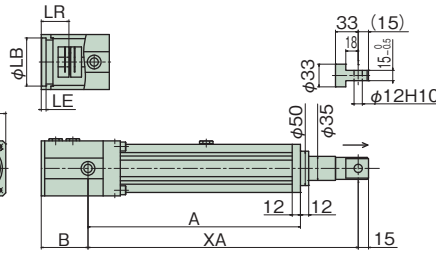
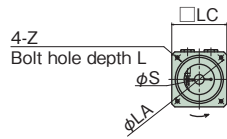


Motor direct coupling

Dimensions table (□70 frame)

LPES150FT

Mount code
Stroke



Stroke	A	XA	
		MIN	MAX
100	309	395	495
200	409	495	695
300	509	595	895
400	609	695	1095
500	709	795	1295
600	809	895	1495

マウントコード	LC	LB	LE	S	LR	LA	Z	L	B
E4H	80	50	8	14	30	70	M5X8L	-	68
G4K	80	70	5	16	40	90	M5X16L	14	77
G4L	80	70	5	19	35	90	M5X16L	9	72
G5K	80	70	5	16	40	90	M6X16L	14	77
G5L	80	70	5	19	40	90	M6X16L	14	77
G7L	80	70	5	19	35	90	M6X16L	9	72
Z9Z									

* For dimensions in blanks, contact us.

Stroke	Mass
100	8.6
200	9.5
300	10.5
400	11.4
500	12.3
600	13.3

* The above mass does not include the mass of the servomotor.

LPES300FT

Mount code
Stroke

Fig. 1

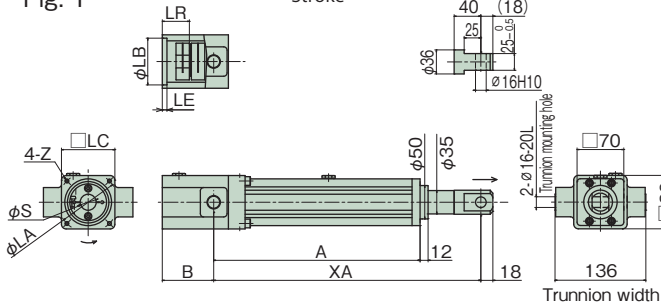
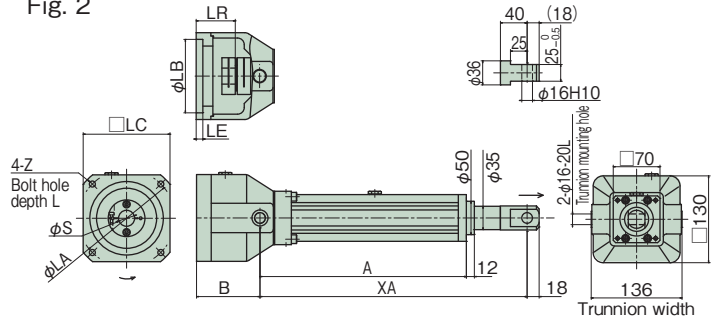


Fig. 2



Mount code	LC	LB	LE	S	LR	LA	Z	L	B	Drawing
G5K	80	70	5	16	40	90	M6X16L	-	77	1
G5L	80	70	5	19	40	90	M6X16L	-	77	
H1K	130	80	7	16	35	100	M6X7L	-	74	
H2K	130	80	7	16	40	100	M6X7L	-	77	
H2L	130	80	22	19	55	100	M6X22L	-	92	
H2Y	130	80	12	24	45	100	M6X12L	-	82	2
J2M	130	95	10	22	40	115	M8X10L	-	80	
J3Y	130	95	12	24	45	115	M6X12L	-	82	
J4M	130	95	12	22	45	115	M8X12L	-	82	
J4Y	130	95	12	24	45	115	M8X12L	-	82	
J5L	130	95	23	19	55	115	M8X10L	-	93	
J7Y	130	95	19	24	40	135	M8X19L	-	80	
J8Y	130	95	19	24	50	135	M8X19L	-	89	

Mount code	LC	LB	LE	S	LR	LA	Z	L	B	Drawing
K2L	130	110	10	19	40 to 41	145	M8X20L	6	79	2
K2M	130	110	10	22	40	145	M8X20L	6	79	
K3L	130	110	25	19	55 to 58	145	M8X20L	22	95	
K3M	130	110	25	22	55	145	M8X20L	22	95	
K3Y	130	110	25	24	55 to 58	145	M8X20L	22	95	
K6M	130	110	12	22	45	145	M8X20L	9	82	
K7M	130	110	37	22	70	145	M8X20L	34	107	
L1M	176	114.3	22	22	55	200	M12X19L	-	92	
Z9Z										

* For dimensions in blanks, contact us.

Stroke	A	XA	
		MIN	MAX
100	309	400	500
200	409	500	700
300	509	600	900
400	609	700	1100
500	709	800	1300
600	809	900	1500

Stroke	Mass
100	14.3
200	15.2
300	16.1
400	17.1
500	18.0
600	19.0

* The above mass does not include the mass of the servomotor.

Options

LPES150	<p>U-type end fitting (-U)</p>	<p>Bellows (-J)</p> <p>When bellows are equipped, flange mount is not available.</p>	<p>Trunnion fitting (LPE025-T) Mass: 0.6kg</p> <p>Order the trunnion fitting separately from main body model No. without entering any symbol at the end of model No.</p>
	LPES300	<p>U-type end fitting (-U)</p>	<p>Bellows (-J)</p>