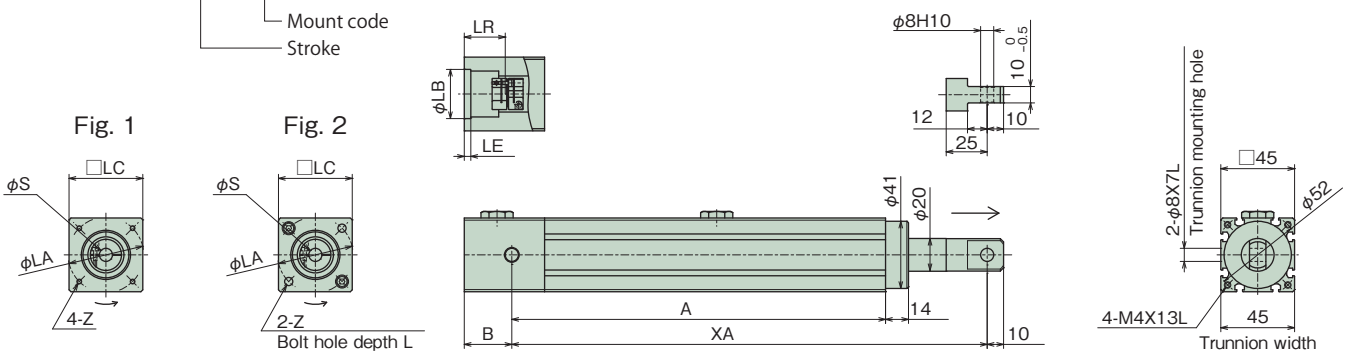


# Motor direct coupling

## Dimensions table (□45 frame)

### LPES15FT



Mount code	LC	LB	LE	S	LR	LA	Z	L	B	Unit: mm
A3D	45	22	4	8	24	48	M3X11L	-	28	1
B2D	45	30	4	8	24	45	M3X11L	-	28	
B3B	45	30	4	6	25	46	M4X13L	49	29	2
B3D	45	30	4	8	25	46	M4X13L	49	29	
C1C	45	34	4	7	24	48	M3X11L	-	28	1
Z9Z										

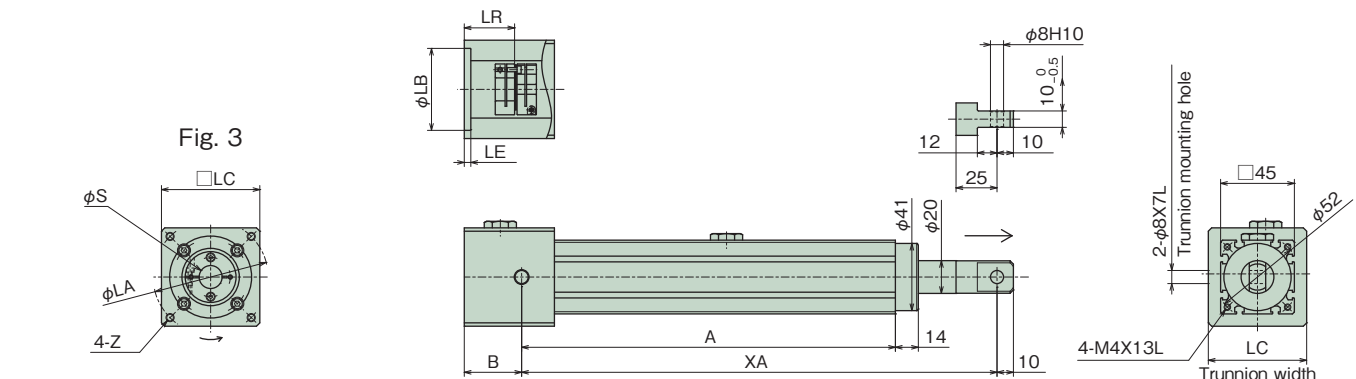
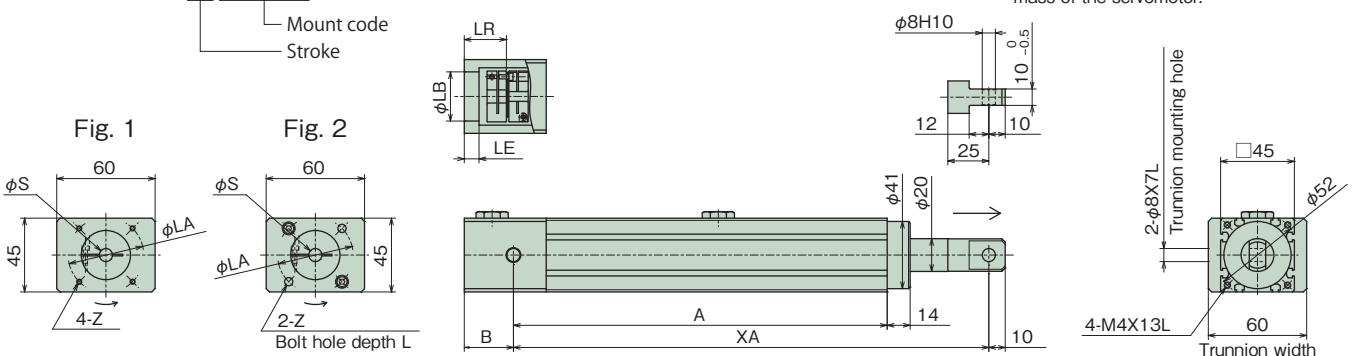
Stroke	A	XA	
		MIN	MAX
100	228	290	390
200	328	410	610
300	428	510	810

Stroke	Unit: kg	
	Mass	
100	1.5	
200	1.9	
300	2.2	

\* For dimensions in blanks, contact us.

\* The above mass does not include the mass of the servomotor.

### LPES30FT



Mount code	LC	LB	LE	S	LR	LA	Z	L	B	Unit: mm
A3D	-	22	8	8	24	48	M3X11L	-	29	1
B2D	-	30	9	8	25	45	M3X11L	-	30	
B3D	-	30	9	8	25	46	M4X13L	50	30	2
E1C	60	50	5	7	24	60	M4X12L	-	29	
E2D	60	50	5	8	30	60	M4X12L	-	35	3
E3D	60	50	5	8	25	70	M4X12L	-	30	
E3G	60	50	5	11	30	70	M4X12L	-	35	3
E4H	60	50	5	14	30	70	M5X12L	-	35	
E5D	60	50	5	8	25	70	M5X12L	-	30	3
G1G	80	70	5	11	30	90	M5X12L	-	35	
G1H	80	70	5	14	30	90	M5X12L	-	35	3
G1Z	80	70	5	12	30	90	M5X12L	-	35	
G2H	80	70	5	14	30	90	M6X17L	-	35	3
H1H	90	80	5	14	30	100	M6X17L	-	35	
Z9Z										

Stroke	A	XA	
		MIN	MAX
100	228	290	390
200	328	410	610
300	428	510	810

Stroke	Unit: kg	
	Mass	
100	1.6	
200	2.0	
300	2.4	

\* For dimensions in blanks, contact us.

\* The above mass does not include the mass of the servomotor.