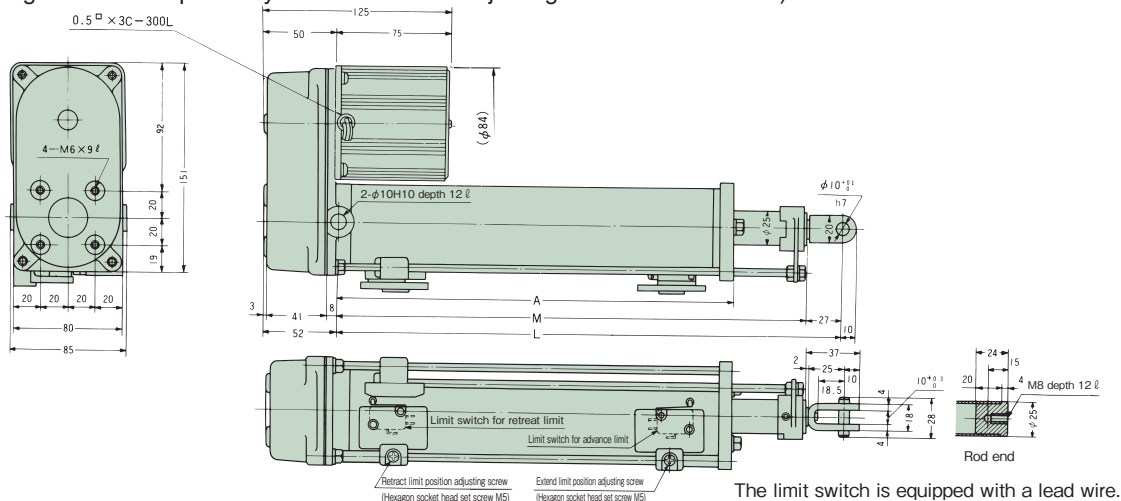
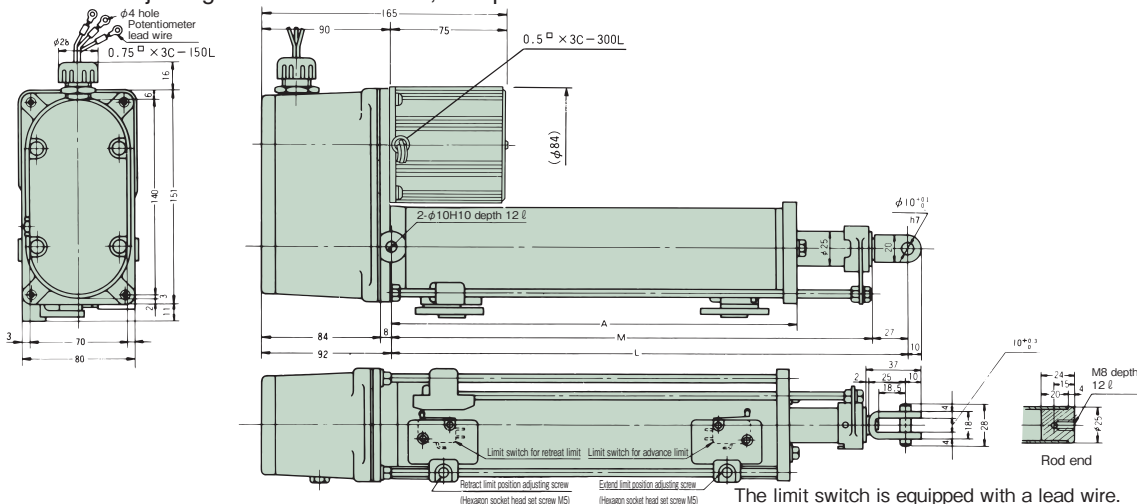


Dimensions Table

Basic type (This diagram shows a power cylinder with stroke adjusting external limit switch.)



Power cylinder with a stroke adjusting external limit switch, with potentiometer



Unit: mm

Stroke	A		Minimum	M		L			Approximate mass kg				
	Basic type	With stroke adjusting external limit switch		Minimum	With bellows		Minimum		maximum	Basic type	With LS	With potentiometer	With LS, potentiometer
					Minimum	Stroke	Without bellows	With bellows					
100	176	179	205	205 (230)	100 (75)	232	232 (257)	332	4.0	4.6	5.1	5.6	
200	276	279	305	319 (348)	186 (157)	332	346 (375)	532	4.5	5.1	5.6	6.1	
300	376	379	405	433 (469)	272 (236)	432	460 (496)	732	5.0	5.6	6.1	6.6	

Note) Dimensions in the parentheses indicate a value for power cylinders with a limit switch.