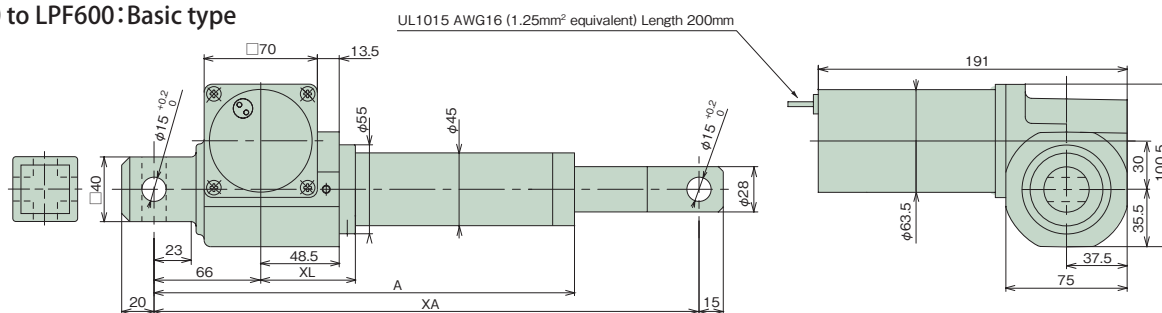


Dimensions Table

LPF100 to LPF600: Basic type



Model number		Rated thrust		Stroke	Rated speed	Dimensions mm			Approximate mass	
						XL	A	XA		
		kN	{kgf}	mm	mm/s	MIN.	MAX.	kg		
LPF100H	0.5 V	1.00	102	50	30	58.5	210	275	325	5.0
	1.0 V			260			325	425	5.3	
	1.5 V			310			395	545	5.6	
	2.0 V			360			445	645	5.9	
	3.0 V			460			545	845	6.5	
LPF200M	0.5 V	2.00	204	50	18	58.5	210	275	325	5.0
	1.0 V			260			325	425	5.3	
	1.5 V			310			395	545	5.6	
	2.0 V			360			445	645	5.9	
	3.0 V			460			545	845	6.5	
LPF300L	0.5 V	3.00	306	50	9	58.5	210	275	325	5.0
	1.0 V			260			325	425	5.3	
	1.5 V			310			395	545	5.6	
	2.0 V			360			445	645	5.9	
	3.0 V			460			545	845	6.5	
LPF600L	1.0 V	6.00	612	100	8	95.5	297	360	460	5.9
	2.0 V			397			480	680	6.5	
	3.0 V			497			580	880	7.1	
	4.0 V			597			705	1105	7.8	
	5.0 V			697			805	1305	8.4	
	6.0 V			797			920	1520	9.0	

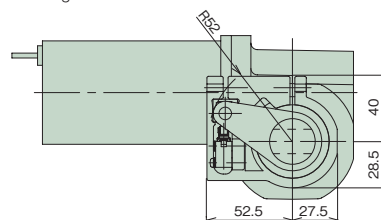
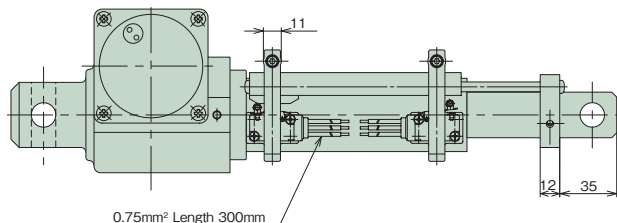
Note) V is attached at the end of the model number for 24V DC.

Options

■ With external limit switch for stroke adjustment

Note) No limit switch for stroke adjustment is attached to the model of 50 mm stroke.

The above-mentioned XA dimensions will not change even after attaching an external limit switch for stroke adjustment and bellows. The mechanical stroke preset value is 60mm or more. However, note that it does not include the coasting distance.



■ With bellows

