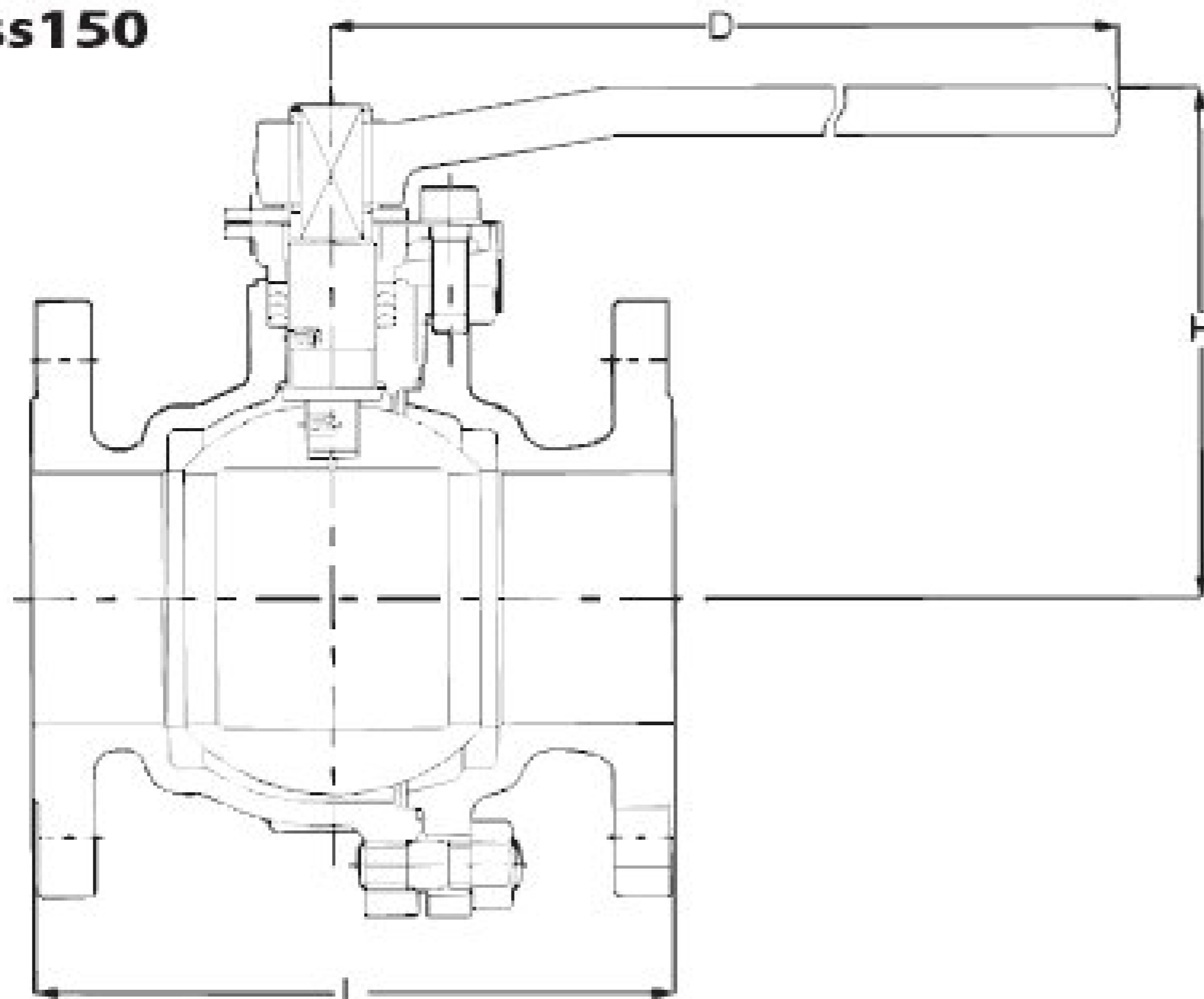


Fig. 150UTB/150UTBM Class150



Materials

Parts	150UTB	150UTBM
Body	CF 8	CF 8M
Cap	CF 8	CF 8M
Stem	304	316
Ball	304	316
	CF 8	CF 8M
Seat	HYPATITE PTFE	

Dimensions

size	inch	mm											
	mm	1/2	3/4	1	1 1/2	2	2 1/2	3	4	5	6	8	10
		15	20	25	40	50	65	80	100	125	150	200	250
Ball Bore		15	20	25	40	50	65	80	100	125	150	200	250
L		108	117	127	165	178	190	203	229	356	394	457	533
H		102	105	124	115	120	155	165	200	220	295	355	-
D		130	130	160	230	230	400	400	460	460	1000	1500	-
H₁ (GEAR)										312	337	414	477
D₁ (GEAR)										310	310	360	500