

Technical data sheet

Surge protection for high-speed networks up to 1 GBit
(Class ND-CAT6/E-F)
Item number: 5081802



Data cable protection device for high-speed networks

- High-quality RJ45 sockets
- Low protection level at high current load
- Earthing via DIN rail or connection cable
- Support of Power over Ethernet ++ (PoE++/4PPoE) to 1 A in accordance with IEEE 802.3
- Tested transmission quality in networks up to 1 GBit/s (Class E) or CAT6
- Fast installation through plug-in version
- Incl. DIN rail fastening set and earthing cable

Application example: 1 GBit Ethernet, 10/100 MBit Ethernet, PoE applications, IP camera systems, ISDN S0 interfaces



Alu Aluminium

Master data

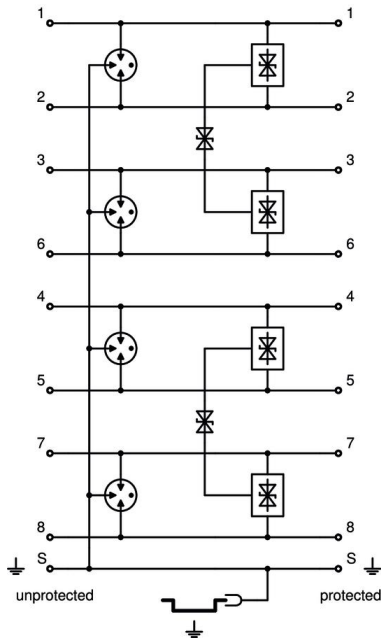
Item number	5081802
Type	ND-CAT6/E-F
Description 1	Net Defender fine protection
Description 2	for Class E/CAT6
Manufacturer	OBO
Dimension	58V
Colour	Silver grey; RAL 7001
Material	Aluminium
Smallest sales unit	1
Unit of quantity	Piece
Weight	16.38 kg
Weight unit	kg/100 pc.

Technical data sheet

Surge protection for high-speed networks up to 1 GBit
(Class ND-CAT6/E-F)
Item number: 5081802



Technical data



Number of poles	8
Version for	Fine protection, 8 wires + shield
Channel performance Ansi/EA	CAT 6
Channel performance ISO/IEC	Class E
Insertion loss	≤3 dB
Earthing via:	Connection cable / DIN rail
Explosion-tested version	no
Telecommunications contact	no
Total discharge current (8/20)	5 kA
Maximum continuous voltage AC	41
Maximum continuous voltage DC	58
Kategorie	Type 2+3 / C2+C1
Lightning protection zone LPZ	1→3
Mounting type	Connector/cable adapter
Testing standard	IEC 61643-21
Shielding connection available	yes
Screening	Direct
Protection rating	IP20
Protection level wire-wire	<40 V
Protection level wire-earth	<900 V
SPD to IEC 61643-21	Class II+III / C2+C1
Plug-in system	RJ45 8(8)
Impulse durability wire-wire	C1: 0,3 kV / 0,15 kA (8/20μs)
Impulse durability wire-earth	C2: 3 kV / 1,5 kA (8/20μs)
Permitted temperature range, max.	80 °C
Permitted temperature range, min.	-40 °C
Cable type for surge protection devices	Data cable CAT