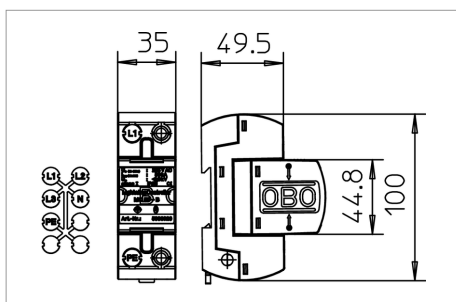


# Technical data sheet

## Lightning current arrester, 1-pole



MC 50-B VDE: Type 1 (Class B) lightning current arrester in accordance with DIN EN 61643-11 for interface 0 to 1 (LPZ) to and/or in accordance with lightning protection concept to IEC 61312-1 and/or DIN V VDE V 0185-305 (IEC 62305)

- VDE test marks
- Conforms to VDN Directive 2nd Edition 2004
- Cover and base, plug-in cover
- Arresting capacity 50 kA (10/350  $\mu$ s) per pole
- Protection level • Line following current quenching 25 kA Ipeak
- Incl. plug caps for identifying the connections
- Encapsulated, non-extinguishing spark gap: can be used in standard distributor housings

Application example: Industrial plants; lightning current arrester in accordance with VDN Directive 2nd Edition 2004 for pre-meter area. Note: Required as decoupling length for surge voltage protection of 5 m of cable.



Type	Max. continuous operating voltage V	Version	Pack. pcs	Weight kg/100 pcs.	Art.-No.
MC 50-B VDE	255	1-pole	1	34.400	5096847

/pc.