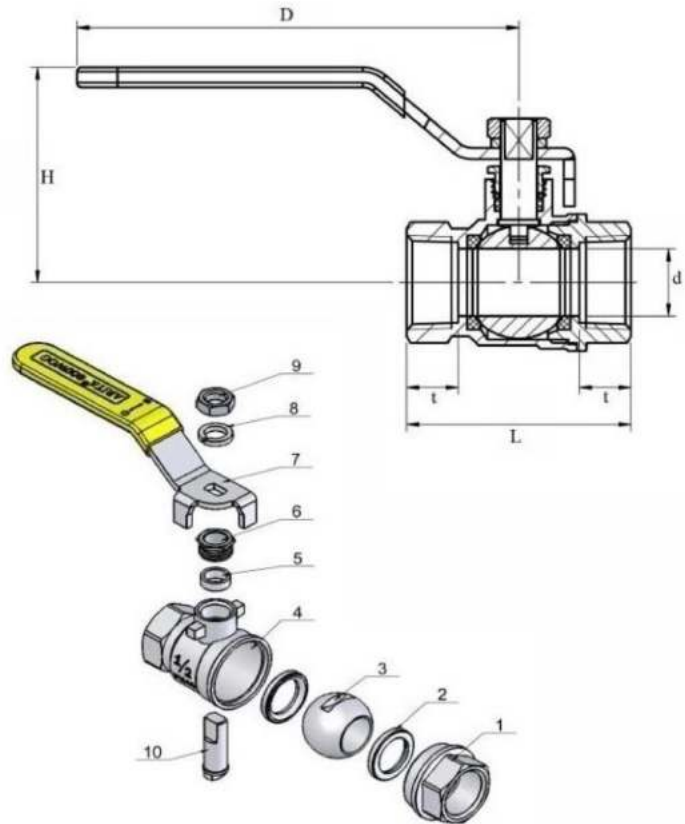


PN 40 / Class 600 Full Bore Ball Valve

Model: BRB-S-600(FB)



Materials

NO.	COMPONENT	MATERIAL
1	CAP	BRASS
2	SEAT	PTFE
3	BALL	CHROMED BRASS
4	BODY	BRASS
5	PACKING GLAND	PTFE
6	GLAND	BRASS
7	HANDLE	STEEL
8	SPRING WASHER	STEEL
9	HEX-NUT	STEEL
10	STEM	BRASS

Features : This kind of ball valve can be used in equipment or pipe system to open or shut the passageway for controlling the flow of medium.

Application : Water, Oil & Gas

Working Temperature : 120 °C

Thread : BSPT (BS 21) or NPT (ANSI B 1.20.1)

Dimensions

SIZE	INCH	1/4	3/8	1/2	3/4	1	1 1/4	1 1/2	2
	MM	8	10	15	20	25	32	40	50
d (mm)		10	10	15	20	25	32	40	50
H(mm)		40	41	48	52.5	63.2	74.5	83	92.5
D(mm)		89	89	98.5	98.5	125	140	140	165
L(mm)		40	40	50	54.5	66	75	91	103
t(mm)		9.5	9.5	11.5	12	14.5	15.5	17.5	18
Wt. (g)		124	126	182	308	452	602	936	1524